

Chassis Mount

241 Series

Two-4-One™ Power Transformers

Split Bobbin Construction Providing Superior Isolation

Signal's 241 transformers use a split bobbin construction that provides superior isolation and low capacitive coupling.



General Specifications

- Power - 2.4 VA to 100 VA
- Dielectric Strength - 2500 Vrms Hipot
- Primaries - Single or dual primaries (115 V or 115/230 V - 50/60 Hz)
- Secondary - Single center tapped secondary
- Terminals - Solder lug / quick connect type terminals
- Insulation - Class B (130° C) UL 1446 E66312

Agency Certifications

- UL recognized to UL 506 / UL 5085-1, File # E63829
- CSA certified to C22.2 #66.1, File # 221070

Part Number Selection

Part Number		Secondary RMS Rating
Single 115 V	Dual 115 / 230 V	
241-3-10	Not Available	10.0 VCT @ 0.25 A
241-4-10	DP-241-4-10	10.0 VCT @ 0.60 A
241-5-10	DP-241-5-10	10.0 VCT @ 1.2 A
241-6-10	DP-241-6-10	10.0 VCT @ 3.0 A
241-7-10	DP-241-7-10	10.0 VCT @ 5.0 A
241-8-10	DP-241-8-10	10.0 VCT @ 10 A
241-3-12	Not Available	12.6 VCT @ 0.20 A
241-4-12	DP-241-4-12	12.6 VCT @ 0.50 A
241-5-12	DP-241-5-12	12.6 VCT @ 1.0 A
241-6-12	DP-241-6-12	12.6 VCT @ 2.5 A
241-7-12	DP-241-7-12	12.6 VCT @ 4.0 A
241-8-12	DP-241-8-12	12.6 VCT @ 8.0 A
241-3-16	Not Available	16.0 VCT @ 0.15 A
241-4-16	DP-241-4-16	16.0 VCT @ 0.40 A
241-5-16	DP-241-5-16	16.0 VCT @ 0.80 A
241-6-16	DP-241-6-16	16.0 VCT @ 2.0 A
241-7-16	DP-241-7-16	16.0 VCT @ 3.5 A
241-8-16	DP-241-8-16	16.0 VCT @ 6.25 A
241-3-20	Not Available	20.0 VCT @ 0.12 A
241-4-20	DP-241-4-20	20.0 VCT @ 0.30 A
241-5-20	DP-241-5-20	20.0 VCT @ 0.60 A
241-6-20	DP-241-6-20	20.0 VCT @ 1.5 A
241-7-20	DP-241-7-20	20.0 VCT @ 2.8 A
241-8-20	DP-241-8-20	20.0 VCT @ 5.0 A
241-3-24	Not Available	24.0 VCT @ 0.10 A
241-4-24	DP-241-4-24	24.0 VCT @ 0.25 A
241-5-24	DP-241-5-24	24.0 VCT @ 0.50 A
241-6-24	DP-241-6-24	24.0 VCT @ 1.25 A
241-7-24	DP-241-7-24	24.0 VCT @ 2.4 A
241-8-24	DP-241-8-24	24.0 VCT @ 4.0 A

Part Number		Secondary RMS Rating
Single 115 V	Dual 115 / 230 V	
241-3-28	Not Available	28 VCT @ 0.085 A
241-4-28	DP-241-4-28	28 VCT @ 0.20 A
241-5-28	DP-241-5-28	28 VCT @ 0.42 A
241-6-28	DP-241-6-28	28 VCT @ 1.1 A
241-7-28	DP-241-7-28	28 VCT @ 2.0 A
241-8-28	DP-241-8-28	28 VCT @ 3.6 A
241-3-36	Not Available	36 VCT @ 0.065 A
241-4-36	DP-241-4-36	36 VCT @ 0.17 A
241-5-36	DP-241-5-36	36 VCT @ 0.35 A
241-6-36	DP-241-6-36	36 VCT @ 0.85 A
241-7-36	DP-241-7-36	36 VCT @ 1.5 A
241-8-36	DP-241-8-36	36 VCT @ 2.8 A
241-3-48	Not Available	48 VCT @ 0.05 A
241-4-48	DP-241-4-48	48 VCT @ 0.125 A
241-5-48	DP-241-5-48	48 VCT @ 0.25 A
241-6-48	DP-241-6-48	48 VCT @ 0.63 A
241-7-48	DP-241-7-48	48 VCT @ 1.2 A
241-8-48	DP-241-8-48	48 VCT @ 2.0 A
241-3-56	Not Available	56 VCT @ 0.045 A
241-4-56	DP-241-4-56	56 VCT @ 0.11 A
241-5-56	DP-241-5-56	56 VCT @ 0.22 A
241-6-56	DP-241-6-56	56 VCT @ 0.54 A
241-7-56	DP-241-7-56	56 VCT @ 1.00 A
241-8-56	DP-241-8-56	56 VCT @ 1.8 A
241-3-120	Not Available	120 VCT @ 0.02 A
241-4-120	DP-241-4-120	120 VCT @ 0.05 A
241-5-120	DP-241-5-120	120 VCT @ 0.10 A
241-6-120	DP-241-6-120	120 VCT @ 0.25 A
241-7-120	DP-241-7-120	120 VCT @ 0.50 A
241-8-120	DP-241-8-120	120 VCT @ 0.85 A



Custom versions available upon request.

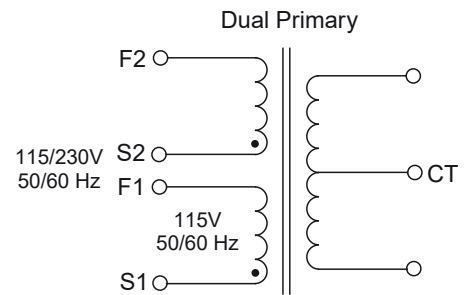
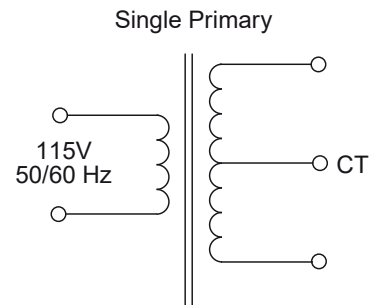
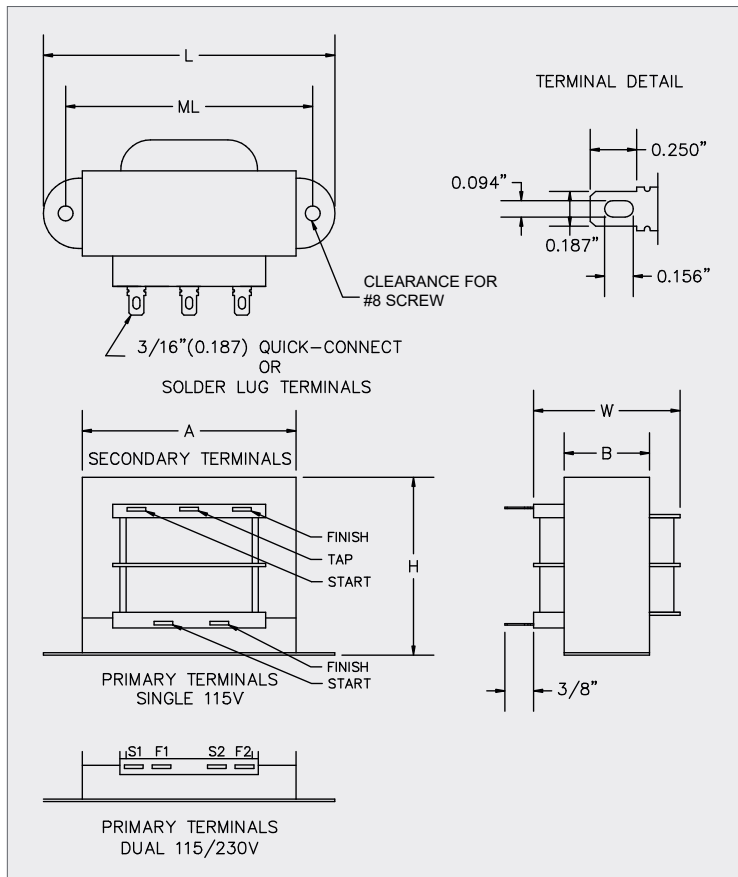


500 Bayview Avenue, Inwood, NY 11096
 Toll Free 866-239-5777 | Tel 516-239-5777 | Fax 516-239-7208
 sales@signaltransformer.com | techhelp@signaltransformer.com

belfuse.com/signal

Mechanical Specifications

Size	VA	Dimensions						Weight
		L	W	H	A	B	ML (typ)	lbs (kg)
		Inches (mm)						
3	2.4	2.07 (52.6)	1.17 (29.6)	1.23 (31.2)	1.62 (41.3)	0.59 (15.0)	1.75 (44.5)	0.25 (0.11)
4	6	2.37 (60.3)	1.31 (33.3)	1.43 (36.2)	1.71 (43.4)	0.72 (18.3)	2.00 (50.8)	0.44 (0.20)
5	12	2.81 (71.4)	1.43 (36.3)	1.69 (42.8)	1.97 (49.9)	0.89 (22.6)	2.37 (60.3)	0.7 (0.32)
6	30	3.25 (82.6)	1.74 (44.3)	1.96 (49.8)	2.35 (59.7)	1.14 (28.9)	2.81 (71.4)	1.1 (0.50)
7	56	3.68 (93.5)	1.94 (49.2)	2.28 (57.8)	2.70 (68.4)	1.14 (28.9)	3.12 (79.4)	1.7 (0.77)
8	100	4.03 (102.4)	2.30 (58.5)	2.58 (65.5)	3.08 (78.2)	1.43 (36.2)	3.56 (90.4)	2.75 (1.25)



• Indicates like polarity

Note:

Agency certified 241 Series transformers with standard length and color lead wires are readily available. See website for 241-L product series.



Custom versions available upon request.



500 Bayview Avenue, Inwood, NY 11096
 Toll Free 866-239-5777 | Tel 516-239-5777 | Fax 516-239-7208
 sales@signaltransformer.com | techhelp@signaltransformer.com

belfuse.com/signal

Mouser Electronics

Authorized Distributor

Click to View Pricing, Inventory, Delivery & Lifecycle Information:

Bel:

[DP-241-7-28](#) [241-4-20](#) [DP-241-8-120](#) [DP-241-4-24](#) [241-3-12](#) [241-8-36](#) [241-6-12](#) [DP-241-5-12](#) [DP-241-5-56](#) [DP-241-8-24](#) [241-3-16](#) [241-4-36](#) [241-6-24](#) [DP-241-6-10](#) [DP-241-7-56](#) [DP-241-5-24](#) [DP-241-7-24](#) [DP-241-5-120](#) [DP-241-8-28](#) [241-8-16](#) [241-8-56](#) [241-5-48](#) [241-7-24](#) [241-8-20](#) [241-6-10](#) [241-5-24](#) [241-5-56](#) [241-7-36](#) [241-6-36](#) [241-7-56](#) [241-7-120](#) [241-6-28](#) [241-5-20](#) [241-5-120](#) [241-6-48](#) [241-6-120](#) [241-8-28](#) [241-8-12](#) [241-3-36](#) [241-4-12](#) [241-4-16](#) [241-3-10](#) [241-3-48](#) [241-7-48](#) [241-7-10](#) [241-8-120](#) [241-8-48](#) [241-4-24](#) [241-7-20](#) [241-8-10](#) [241-4-56](#) [241-5-28](#) [241-7-16](#) [241-6-16](#) [241-8-24](#) [241-6-20](#) [241-3-56](#) [241-3-28](#) [241-4-120](#) [241-5-36](#) [241-7-12](#) [241-4-10](#) [241-5-10](#) [241-5-16](#) [241-4-28](#) [241-4-48](#) [241-5-12](#) [241-3-20](#) [DP-241-6-120](#) [DP-241-7-16](#) [DP-241-6-12](#) [DP-241-6-20](#) [241-6-56](#) [DP-241-5-16](#) [DP-241-4-56](#) [DP-241-4-36](#) [DP-241-5-10](#) [241-3-120](#) [241-3-24](#) [DP-241-4-20](#) [DP-241-6-36](#) [DP-241-4-12](#) [DP-241-4-28](#) [DP-241-7-12](#) [DP-241-7-120](#) [DP-241-6-16](#) [DP-241-8-56](#) [DP-241-8-36](#) [DP-241-7-48](#) [DP-241-8-10](#) [DP-241-4-48](#) [DP-241-5-48](#) [DP-241-6-48](#) [DP-241-4-16](#) [DP-241-5-28](#) [DP-241-6-56](#) [DP-241-7-10](#) [DP-241-6-28](#) [DP-241-5-36](#) [DP-241-7-20](#)