

Data Sheet



Helping Engineer
the Technology of Power

ICE Components, Inc.

Tel 678-560-9172 Fax 678-560-9304

cust.serv@icecomp.com

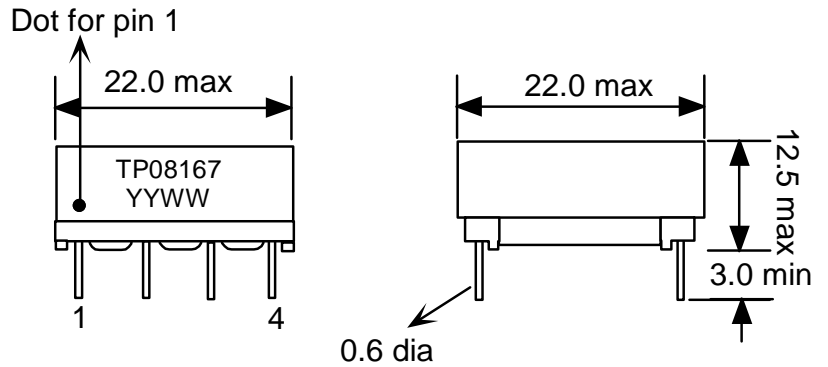
www.icecomponents.com

1165 Allgood Rd., Ste. #20, Marietta, GA 30062

General Information

Customer	Tracciare
Part Number	TP08167
Description	Transformer
Date	NOV-07-2008
Reference	OPP10542
Sample Log#	--
Doc Control #	0811-1025
Issue	--

Mechanical Drawing



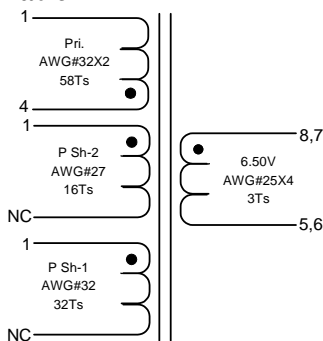
unit:mm

Specification

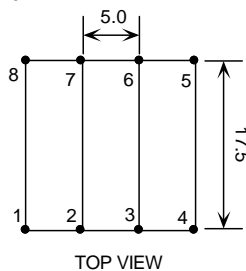
Sample Test Data

Item	Pins	Spec	Test Condition	1	2	3	4	5
Inductance	4 - 1	147 uH +/- 10%	100 kHz, 1 Vrms, series	148.14	147.58	148.75	149.91	146.00
Leakage Inductance	4 - 1 short (5,6,7,8)	35 uH max	100 kHz, 1 Vrms, series	22.36	22.17	22.29	21.58	21.65
DCR	4 - 1	590 mOhms max	25 deg C	520.00	519.97	521.87	519.98	519.87
	(8,7) - (6,5)	5.5 mOhms max		4.33	4.30	4.58	4.38	4.42
Voltage Ratio & Phasing Test	4 - 1	580 mV +/- 3 mV	10 kHz, i/p: 4 - (5,6) = 610 mV, short (1 - 8,7)	580	580	580	580	580
	(8,7) - (6,5)	30 mV +/- 3 mV		30	30	30	30	30
Hi - Pot	(1,4) (5,6,7,8)	-	3000 Vac, 60Hz, 1 mA, 1 second	OK	OK	OK	OK	OK

Schematic



Footprint



unit:mm

Remark

- 1) This is RoHS compliant product.
- 2) Deviation report as attached.

Sample approval is required before release to production. Sample specifications take precedence over customer specifications.

Customer Signature

Rev.	Description	PRD	CHK	APP	Date	NTFY
0	Initial release	Emily	Cha. Cha.	L. L. Chou	2008/11/7	2008/11/7

DEVIATION REPORT

Deviation Report For Customer : Tracciare

Part No :TP08167

A. Electrical Test :

Location	Item	Original	Deviate
Spec	Leakage Inductance	4.4 uH max	35 uH max

B. Materials :

Location	Original	Deviate	Att

C. Outside dimensions :

Location	Original	Deviate

D. Others

Location	Original	Deviate